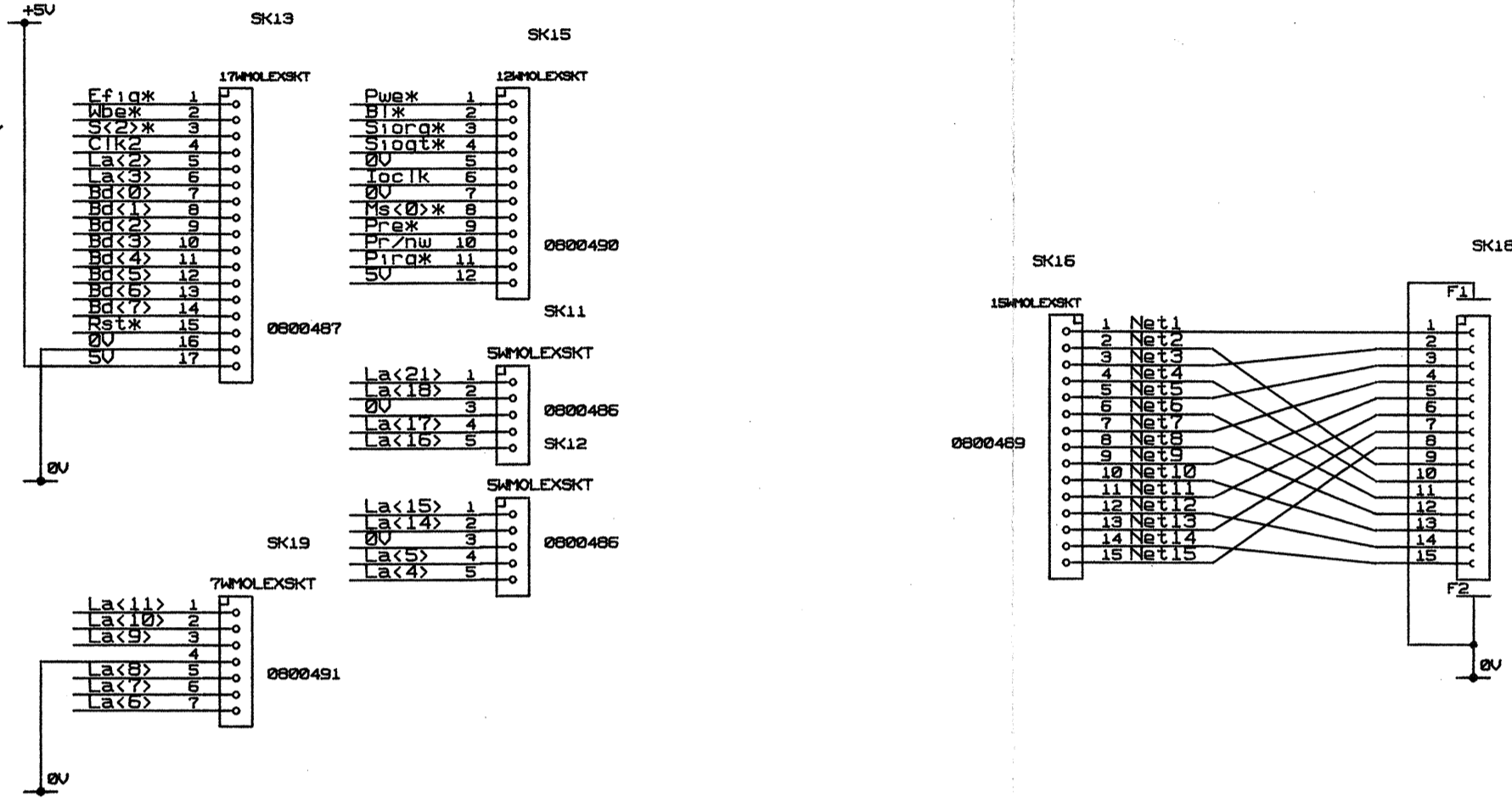
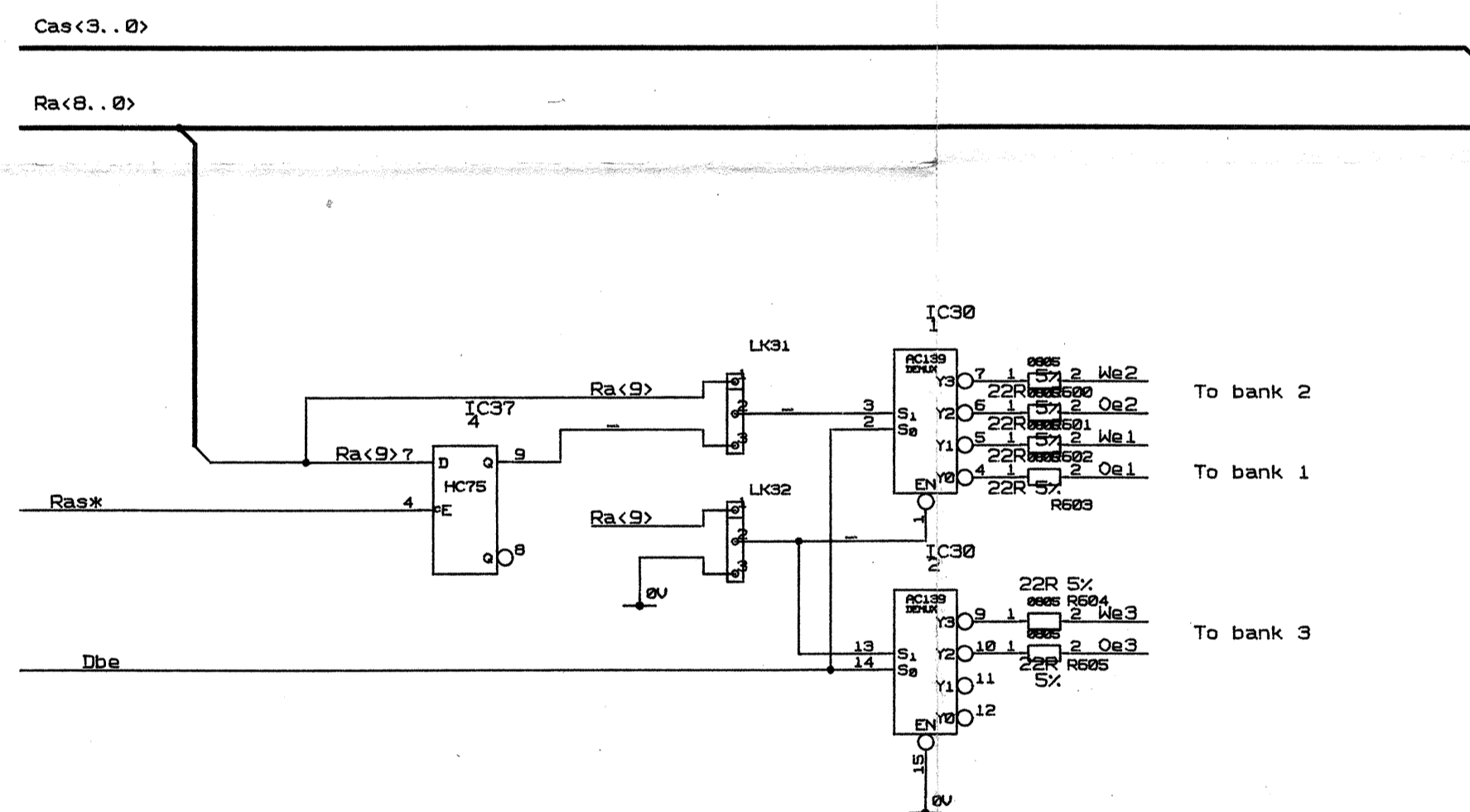


Econet/Network interface signals



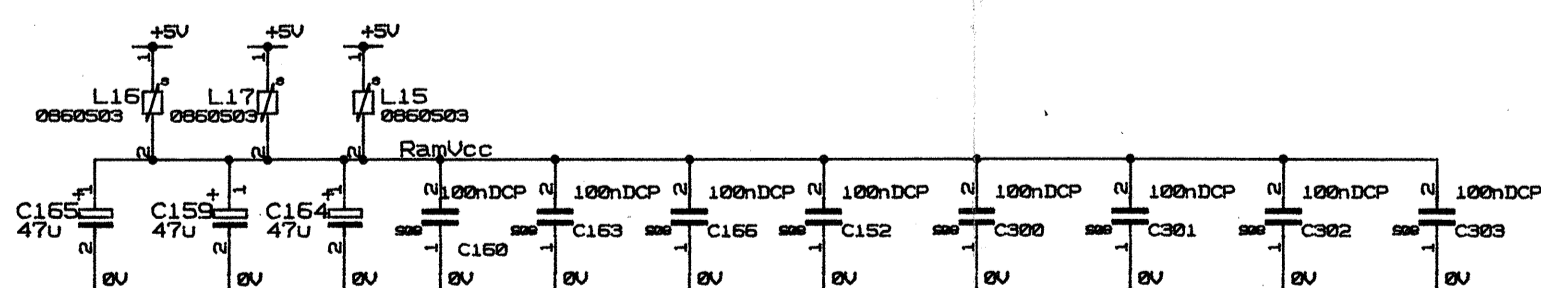
Edat is on Net11 when Econet card is fitted
Edat* = Net12
Edat** = Net14
Edat*** = Net15
All other signals will be 0V

TO/FROM SHEET 1



LK31	LK32	Configuration
1-2	2-3	Switch setting
*	*	2byte
*	*	4byte

DRAM Supply



Bank 1&2 2Mbyte base

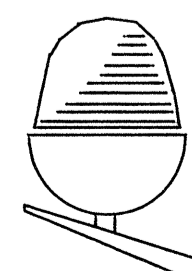
Bank 3 4Mbyte upgrade

DRAWING
TITLE=0194500
ABBREV=Adelaide
LAST_MODIFIED=NOT WRITTEN

ISS	DATE	DESC. OF CHANGE	ENG.	CHKD.
1	7/7/92	PR 3233	IDN	

SCALE	ALL DIMENSIONS IN mm UNLESS OTHERWISE STATED		
MATERIAL			
FINISH			
WHOLE No. TOL.	DECIMAL No. TOL.	ANGLE TOL.	

Copyright of this drawing is reserved by ACORN COMPUTERS LTD. It is issued on condition that it is not copied, reproduced or disclosed to a third party, either wholly or in part, without the consent in writing of ACORN COMPUTERS LTD.



© COPYRIGHT 1992 ACORN COMPUTERS Ltd FULBURN ROAD CHERRY HINTON CAMBRIDGE CB1 4JN

TITLE HERON 'E' MAIN PCB CIRCUIT DIAGRAM Sht 3/3